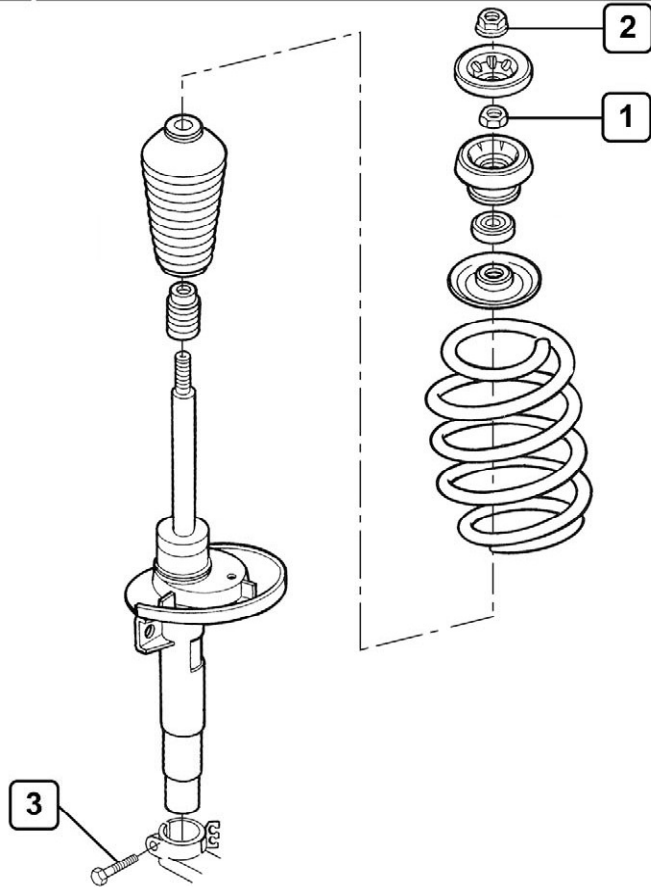


**IN-123**



- 1 60 Nm
- 2 60 Nm
- 3 110 Nm
- 4 100 Nm



 O.E  
 KYB

